



QualiTool
REPLACEMENT TOOLING

QUALI-TOOL CATALOG

www.Quali-Tool.com

TABLE OF CONTENTS

H SERIES

H-1	1
H-1 1/4	2
H-1 1/2	3
H-2	4
H-2 1/2	5
H-3 1/2	6
H 5 3/4	7

HA SERIES

HA-1	8
HA-1 1/4	9
HA-1 1/2	10
HA-2	11

HP SERIES

HP-1	12
HP-1 1/4	13
HP-1 1/2	14
HP-2	15
HP-2 1/2	16

HH SERIES

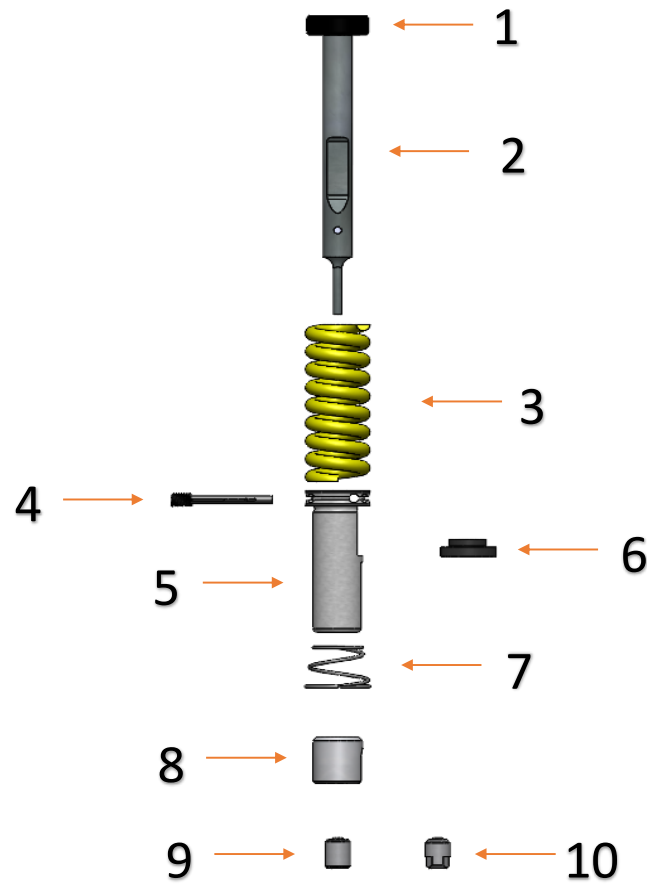
HH-2 1/2	17
HH-3	18
HH-3 1/2	19
HH-5 1/2	20

M SERIES

M-3/4	21
M-1 1/4	22
M-1 3/4	23
M-2 1/4	24
M-2 1/2	25
M-3	26
M-5	27

H-1

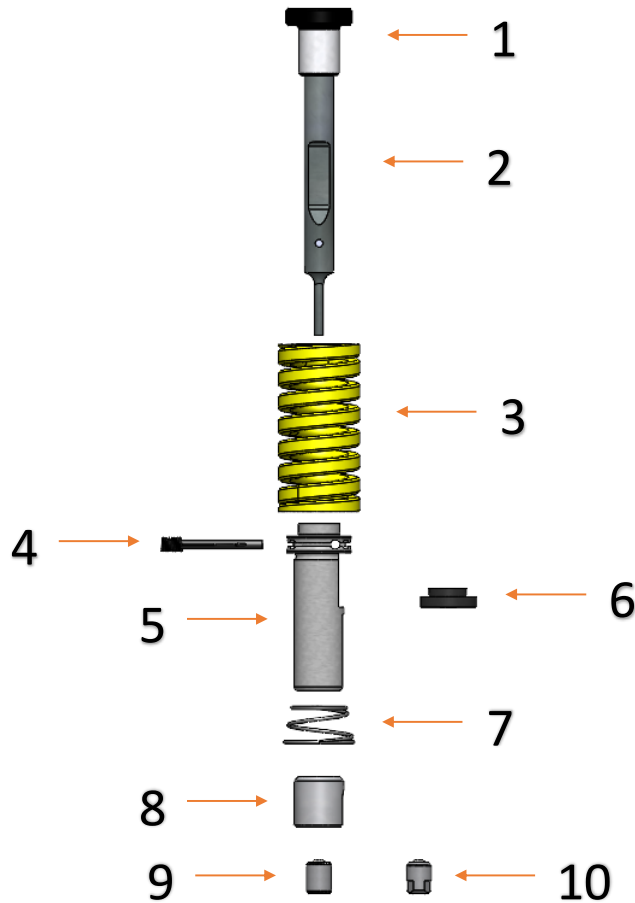
Replacement Tooling



DESCRIPTION	PART NUMBER	Reference Number
Punch Head	HPH-107	1
Round Punch	HP-122	2
Round Punch with Head	HPA-102A	-
Shaped Punch with Head	HPA-102K	-
Stripping Spring	HSS-105	3
Punch Retainer	PR-100	4
Round Guide	HG-104	5
Shaped Guide	HG-104K	-
Guide Retainer	GR-300	6
Lifter Spring	HLS-106	7
Round Die	HD-123	8
Shaped Die	HD-123K	-
Pilot Pin (Round)	PP-1000	9
Pilot Pin (Diamond)	PP-1000K	10

H-1 1/4

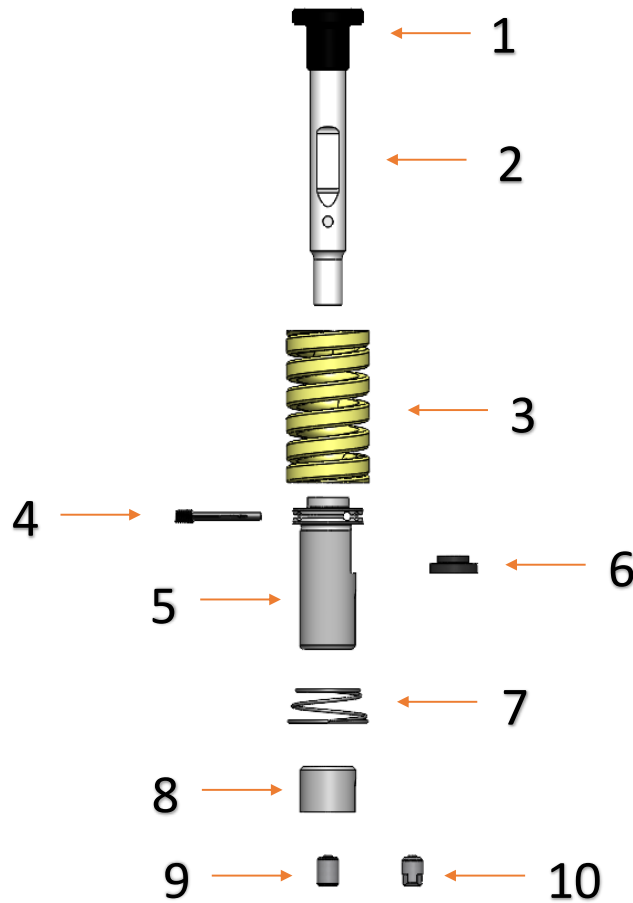
Replacement Tooling



DESCRIPTION	PART NUMBER	Reference Number
Punch Head	HPH-127	1
Round Punch	HP-122	2
Round Punch with Head	HPA-122A	-
Shaped Punch with Head	HPA-122K	-
Stripping Spring	HSS-125	3
Punch Retainer	PR-100	4
Round Guide	HG-124	5
Shaped Guide	HG-124K	-
Guide Retainer	GR-300	6
Lifter Spring	HLS-126	7
Round Die	HD-123	8
Shaped Die	HD-123K	-
Pilot Pin (Round)	PP-1000	9
Pilot Pin (Diamond)	PP-1000K	10

H-1 1/2

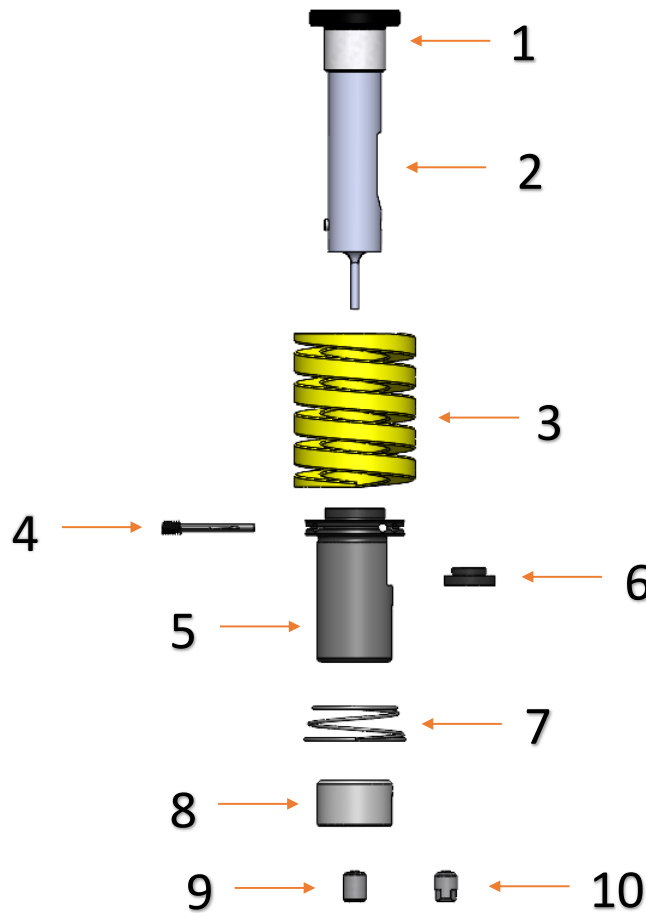
Replacement Tooling



DESCRIPTION	PART NUMBER	Reference Number
Punch Head	HPH-157	1
Round Punch	HP-152	2
Round Punch with Head	HPA-152A	-
Shaped Punch with Head	HPA-152K	-
Stripping Spring	HSS-155	3
Punch Retainer	PR-100	4
Round Guide	HG-154	5
Shaped Guide	HG-154K	-
Guide Retainer	GR-300	6
Lifter Spring	HLS-156	7
Round Die	HD-153	8
Shaped Die	HD-153K	-
Pilot Pin (Round)	PP-1000	9
Pilot Pin (Diamond)	PP-1000K	10

H-2

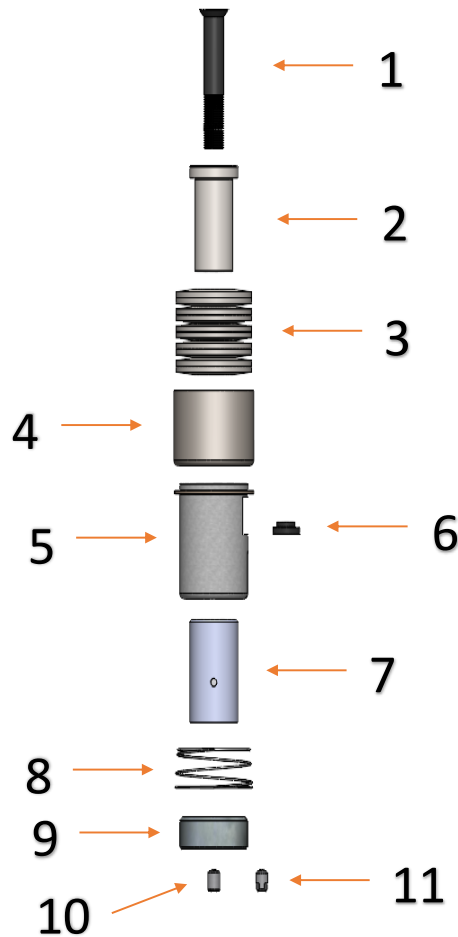
Replacement Tooling



DESCRIPTION	PART NUMBER	Reference Number
Punch Head	HPH-207	1
Round Punch	HP-202	2
Round Punch with Head	HPA-202A	-
Shaped Punch with Head	HPA-202K	-
Stripping Spring	HSS-205	3
Punch Retainer	PR-100	4
Round Guide	HG-204	5
Shaped Guide	HG-204K	-
Guide Retainer	GR-300	6
Lifter Spring	HLS-206	7
Round Die	HD-203	8
Shaped Die	HD-203K	-
Pilot Pin (Round)	PP-1000	9
Pilot Pin (Diamond)	PP-1000K	10

H-2 1/2

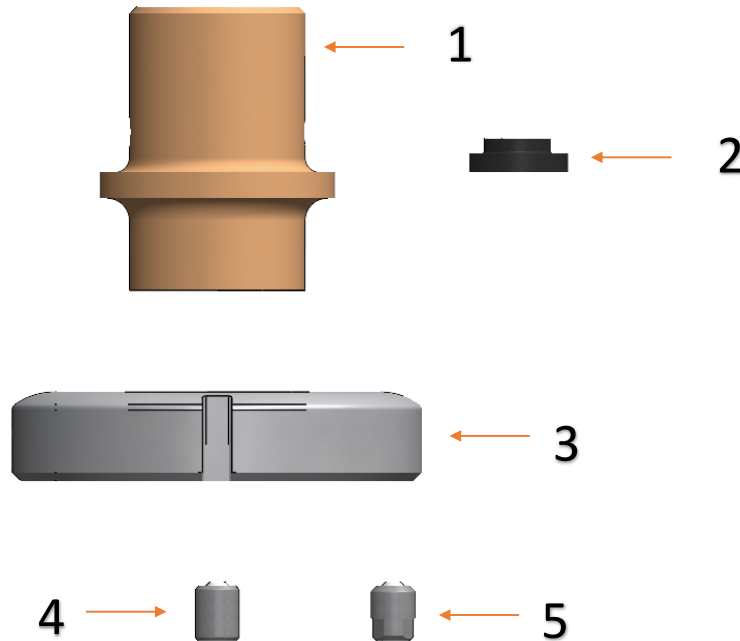
Replacement Tooling



DESCRIPTION	PART NUMBER	Reference Number
Punch Screw	PS-259	1
Punch Driver	HPH-257A	2
Stripping Spring (Set of 10)	HSS-255	3
Spring Guard	SG-250	4
Round Guide	HG-254	5
Shaped Guide	HG-254K	-
Guide Retainer	GR-300	6
Round Punch	HP-252	7
Shaped Punch	HP-252K	-
Lifter Spring	HLS-256	8
Round Die	HD-253	9
Shaped Die	HD-253K	-
Pilot Pin (Round)	PP-1000	10
Pilot Pin (Diamond)	PP-1000K	11

H-3 1/2

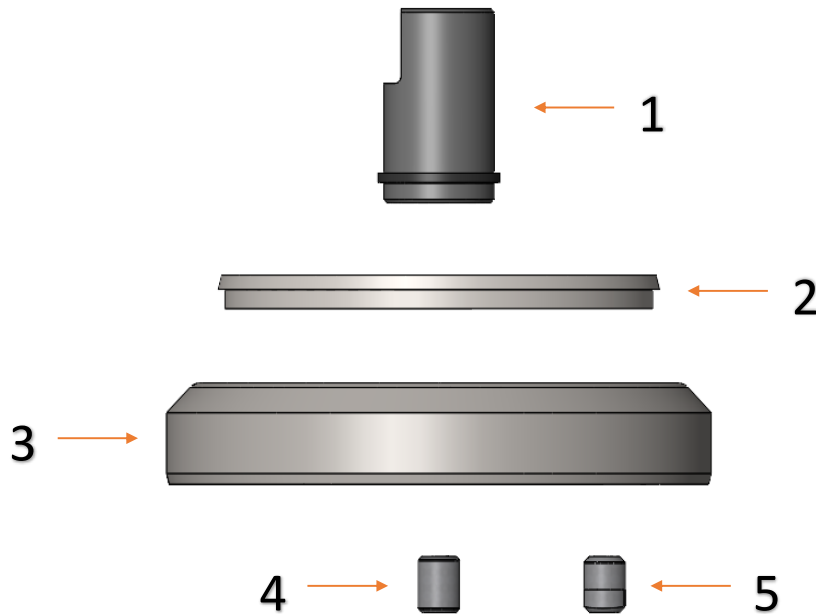
Replacement Tooling



DESCRIPTION	PART NUMBER	Reference Number
Round Punch	HP-352	1
Shaped Punch	HP-352K	-
Guide Retainer	GR-300	2
Round Die	HD-353	3
Shaped Die	HD-353K	-
Pilot Pin (Round)	PP-1000	4
Pilot Pin (Diamond)	PP-1000K	5

H-5 3/4

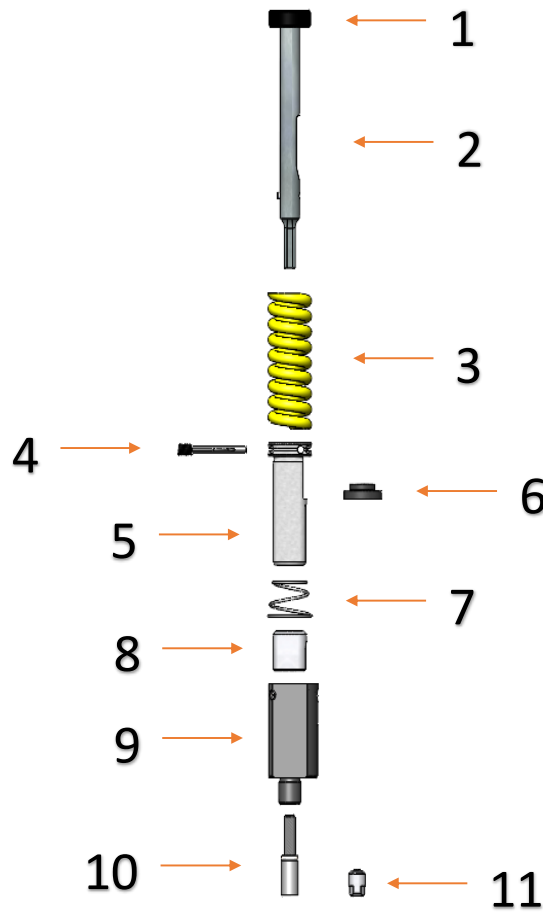
Replacement Tooling



DESCRIPTION	PART NUMBER	Reference Number
Punch Locator	PR-500	1
Fitted Stripper Plate	MSP-509K	2
Round Die	HD-603	3
Shaped Die	HD-603K	-
Pilot Pin (Round)	PP-1000	4
Pilot Pin (Diamond)	PP-1000K	5

HA-1

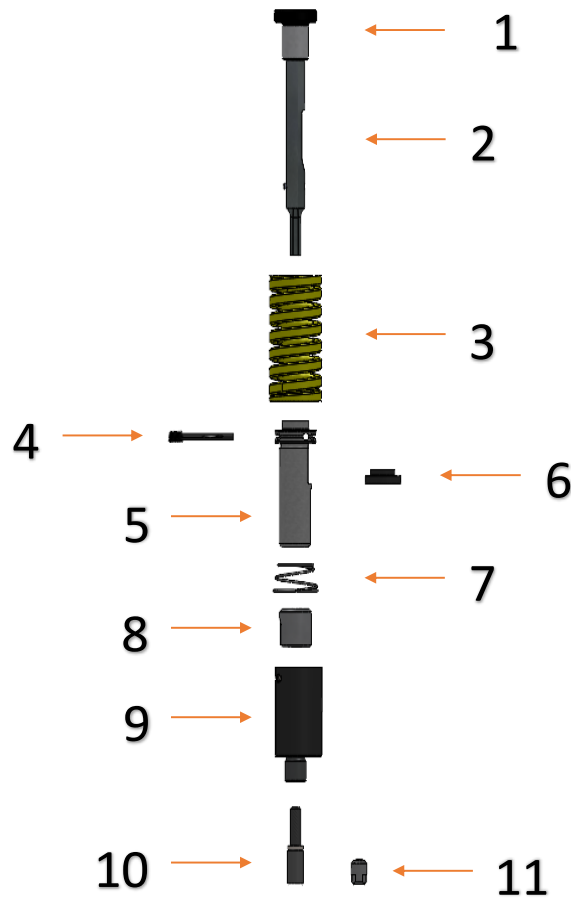
Replacement Tooling



DESCRIPTION	PART NUMBER	Reference Number
Punch Head	HPH-107	1
Round Punch	HP-122	2
Round Punch with Head	HPA-102A	-
Shaped Punch with Head	HPA-102K	-
Stripping Spring	HSS-105	3
Punch Retainer	PR-100	4
Round Guide	HG-104	5
Shaped Guide	HG-104K	-
Guide Retainer	GR-300	6
Lifter Spring	HLS-106	7
Round Die	HD-123	8
Shaped Die	HD-123K	-
Die Adapter (Round)	HDA-108	9
Die Adapter (Shaped)	HAD-108K	-
Pilot Pin (Round)	PP-1200	10
Pilot Pin (Diamond)	PP-1000K	11

HA-1 1/4

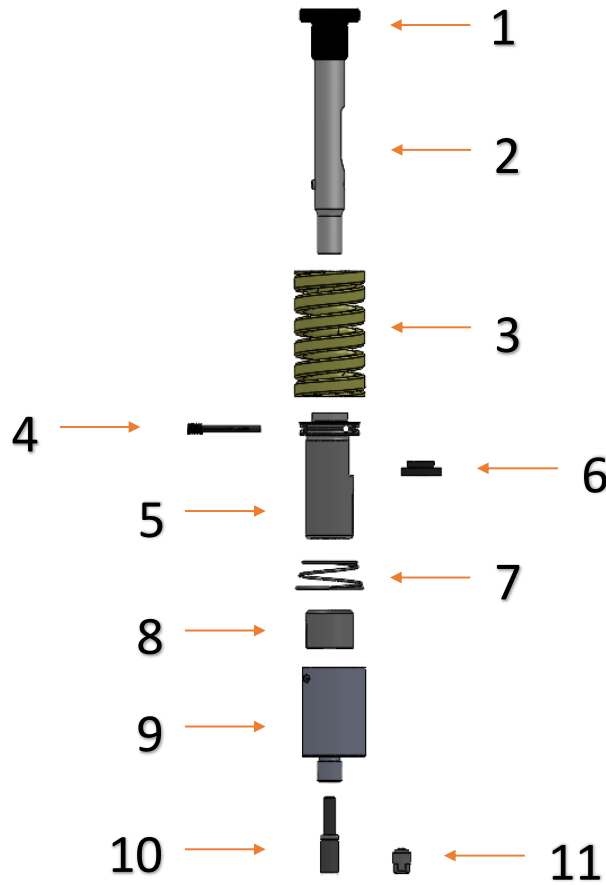
Replacement Tooling



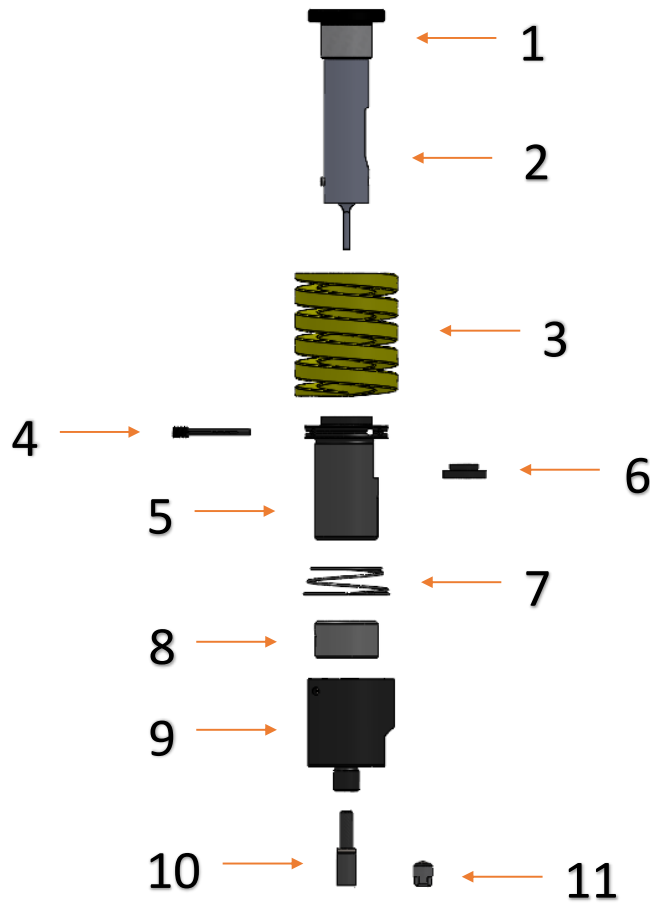
DESCRIPTION	PART NUMBER	Reference Number
Punch Head	HPH-127	1
Round Punch	HP-122	2
Round Punch with Head	HPA-122A	-
Shaped Punch with Head	HPA-122K	-
Stripping Spring	HSS-125	3
Punch Retainer	PR-100	4
Round Guide	HG-124	5
Shaped Guide	HG-124K	-
Guide Retainer	GR-300	6
Lifter Spring	HLS-126	7
Round Die	HD-123	8
Shaped Die	HD-123K	-
Die Adapter (Round)	HDA-128	9
Die Adapter (Shaped)	HAD-128K	-
Pilot Pin (Round)	PP-1200	10
Pilot Pin (Diamond)	PP-1000K	11

HA-1 1/2

Replacement Tooling



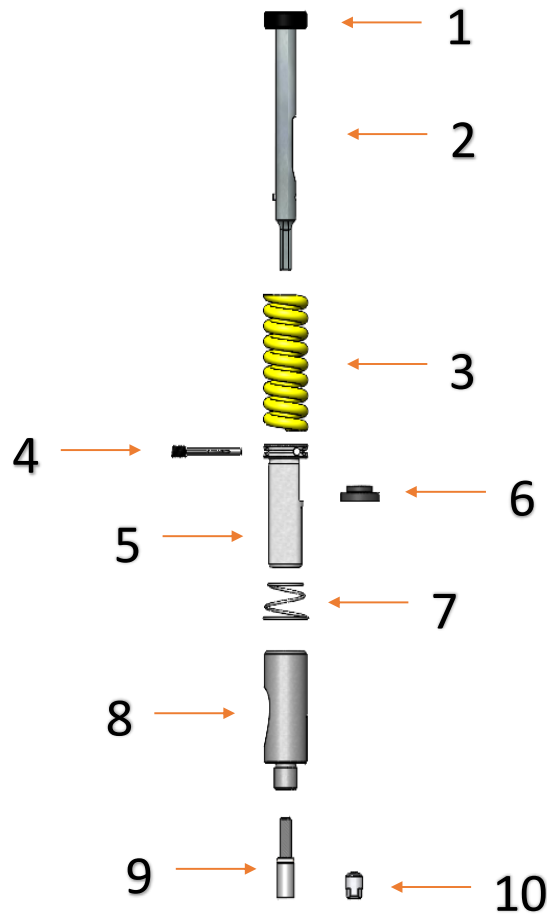
DESCRIPTION	PART NUMBER	Reference Number
Punch Head	HPH-157	1
Round Punch	HP-152	2
Round Punch with Head	HPA-152A	-
Shaped Punch with Head	HPA-152K	-
Stripping Spring	HSS-155	3
Punch Retainer	PR-100	4
Round Guide	HG-154	5
Shaped Guide	HG-154K	-
Guide Retainer	GR-300	6
Lifter Spring	HLS-156	7
Round Die	HD-153	8
Shaped Die	HD-153K	-
Die Adapter (Round)	HDA-158	9
Die Adapter (Shaped)	HDA-158K	-
Pilot Pin (Round)	PP-1200	10
Pilot Pin (Diamond)	PP-1000K	11



DESCRIPTION	PART NUMBER	Reference Number
Punch Head	HPH-207	1
Round Punch	HP-202	2
Round Punch with Head	HPA-202A	-
Shaped Punch with Head	HPA-202K	-
Stripping Spring	HSS-205	3
Punch Retainer	PR-100	4
Round Guide	HG-204	5
Shaped Guide	HG-204K	-
Guide Retainer	GR-300	6
Lifter Spring	HLS-206	7
Round Die	HD-203	8
Shaped Die	HD-203K	-
Die Adapter (Round)	HDA-208	9
Die Adapter (Shaped)	HDA-208K	-
Pilot Pin (Round)	PP-1200	10
Pilot Pin (Diamond)	PP-1000K	11

HP-1

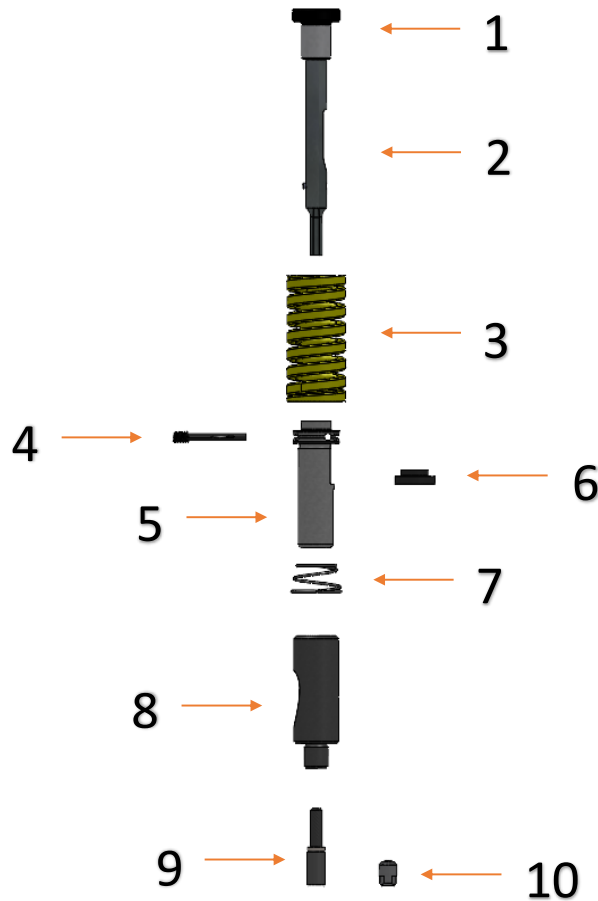
Replacement Tooling



DESCRIPTION	PART NUMBER	Reference Number
Punch Head	HPH-107	1
Round Punch	HP-122	2
Round Punch with Head	HPA-102A	-
Shaped Punch with Head	HPA-102K	-
Stripping Spring	HSS-105	3
Punch Retainer	PR-100	4
Round Guide	HG-104	5
Shaped Guide	HG-104K	-
Guide Retainer	GR-300	6
Lifter Spring	HLS-106	7
Round Pedestal Die	HPD-123	8
Shaped Pedestal Die	HPD-123K	-
Pilot Pin (Round)	PP-1200	9
Pilot Pin (Diamond)	PP-1000K	10

HP-1 1/4

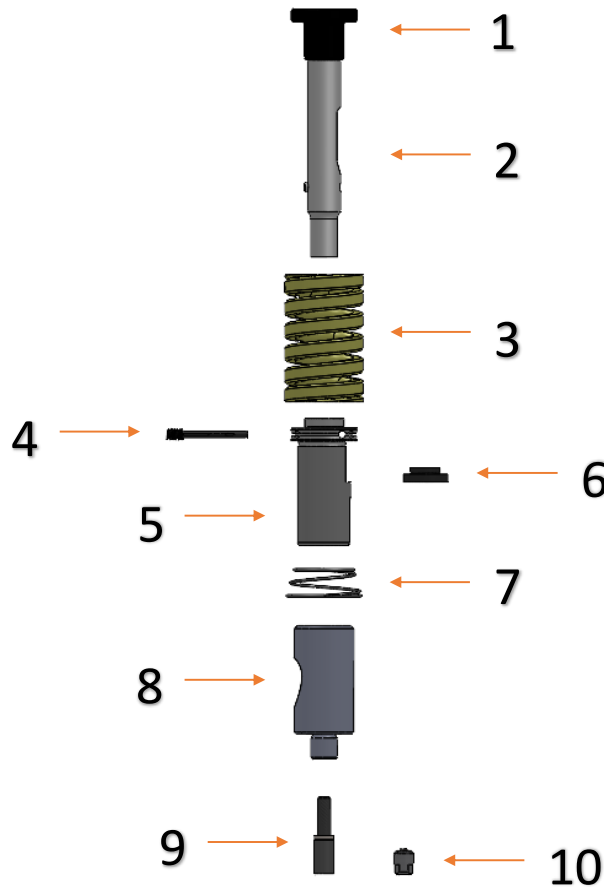
Replacement Tooling



DESCRIPTION	PART NUMBER	Reference Number
Punch Head	HPH-127	1
Round Punch	HP-122	2
Round Punch with Head	HPA-122A	-
Shaped Punch with Head	HPA-122K	-
Stripping Spring	HSS-125	3
Punch Retainer	PR-100	4
Round Guide	HG-124	5
Shaped Guide	HG-124K	-
Guide Retainer	GR-300	6
Lifter Spring	HLS-126	7
Round Pedestal Die	HPD-123	8
Shaped Pedestal Die	HPD-123K	-
Pilot Pin (Round)	PP-1200	9
Pilot Pin (Diamond)	PP-1000K	10

HP-1 1/2

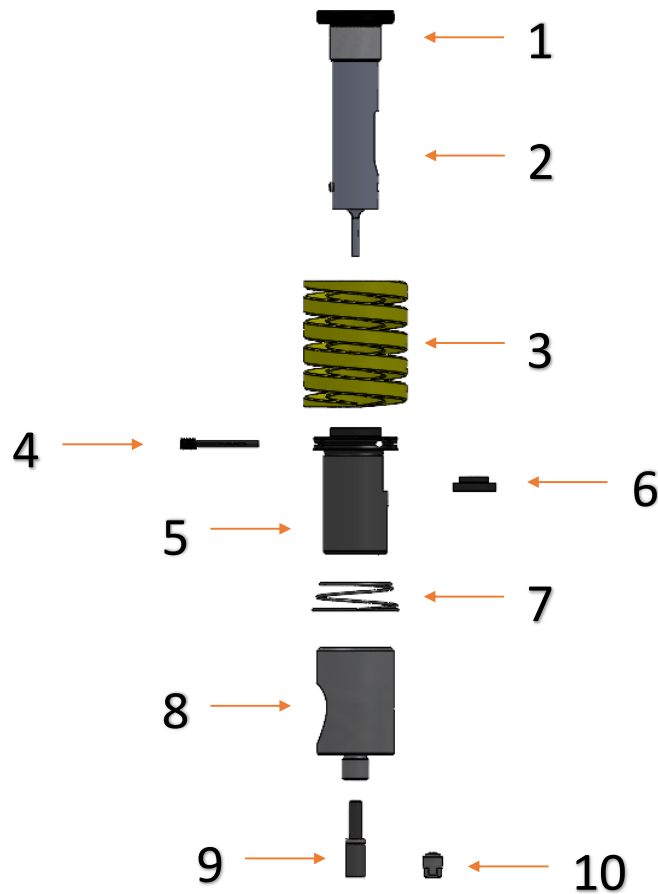
Replacement Tooling



DESCRIPTION	PART NUMBER	Reference Number
Punch Head	HPH-157	1
Round Punch	HP-152	2
Round Punch with Head	HPA-152A	-
Shaped Punch with Head	HPA-152K	-
Stripping Spring	HSS-155	3
Punch Retainer	PR-100	4
Round Guide	HG-154	5
Shaped Guide	HG-154K	-
Guide Retainer	GR-300	6
Lifter Spring	HLS-156	7
Round Pedestal Die	HPD-153	8
Shaped Pedestal Die	HPD-153K	-
Pilot Pin (Round)	PP-1200	9
Pilot Pin (Diamond)	PP-1000K	10

HP-2

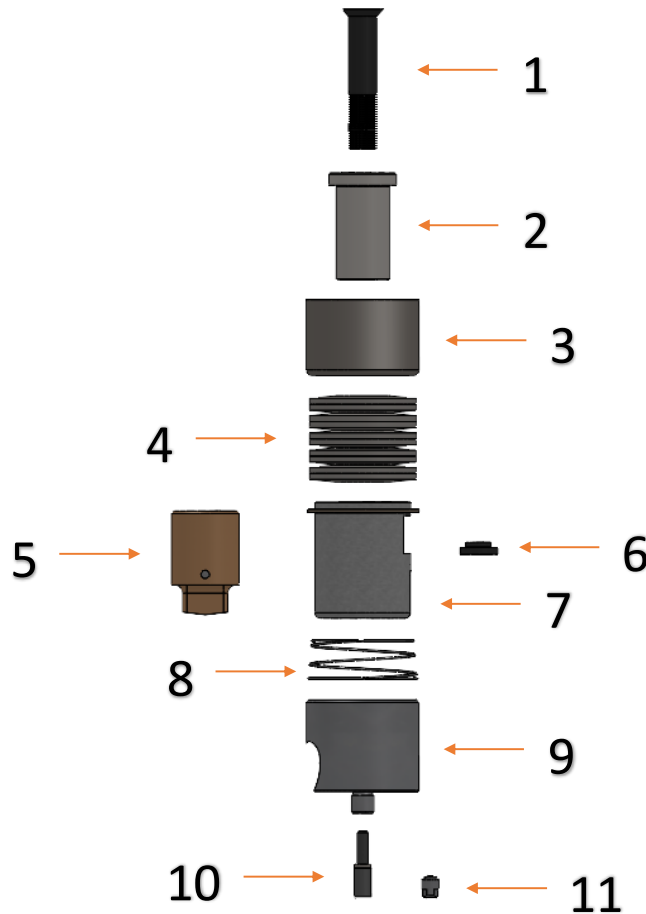
Replacement Tooling



DESCRIPTION	PART NUMBER	Reference Number
Punch Head	HPH-207	1
Round Punch	HP-202	2
Round Punch with Head	HPA-202A	-
Shaped Punch with Head	HPA-202K	-
Stripping Spring	HSS-205	3
Punch Retainer	PR-100	4
Round Guide	HG-204	5
Shaped Guide	HG-204K	-
Guide Retainer	GR-300	6
Lifter Spring	HLS-206	7
Round Pedestal Die	HPD-203	8
Shaped Pedestal Die	HPD-203K	-
Pilot Pin (Round)	PP-1200	9
Pilot Pin (Diamond)	PP-1000K	10

HP-2 1/2

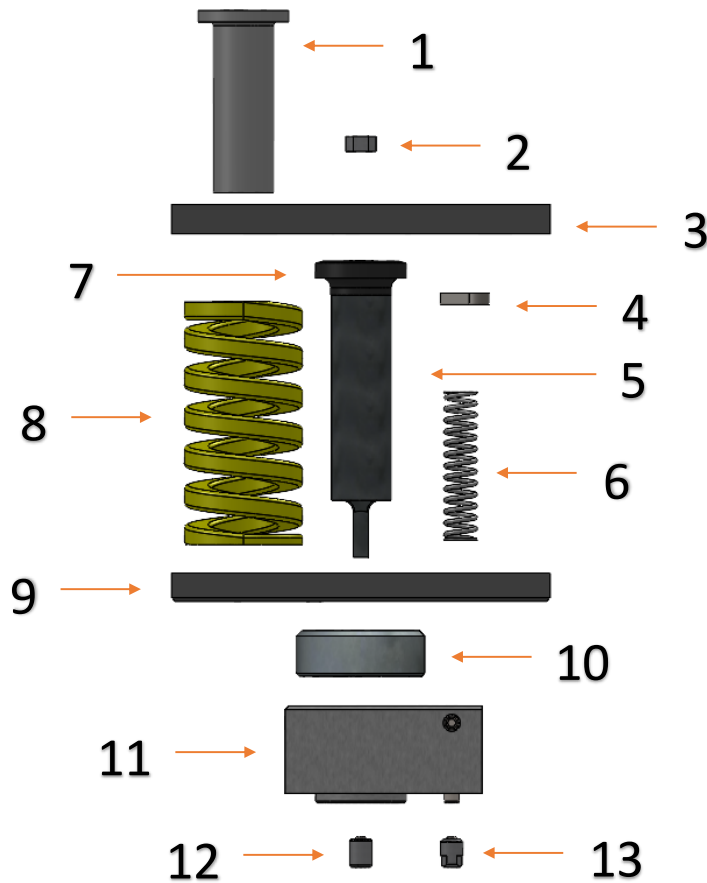
Replacement Tooling



DESCRIPTION	PART NUMBER	Reference Number
Punch Screw	PS-259	1
Punch Driver	HPH-257A	2
Spring Guard	SG-250	3
Stripping Spring (Set of 10)	HSS-255	4
Round Punch	HP-252	5
Shaped Punch	HP-252K	-
Guide Retainer	GR-300	6
Round Guide	HG-254	7
Shaped Guide	HG-254K	-
Lifter Spring	HLS-256	8
Round Pedestal Die	HPD-253	9
Shaped Pedestal Die	HPD-253K	-
Pilot Pin (Round)	PP-1200	10
Pilot Pin (Diamond)	PP-1000K	11

HH-2 1/2

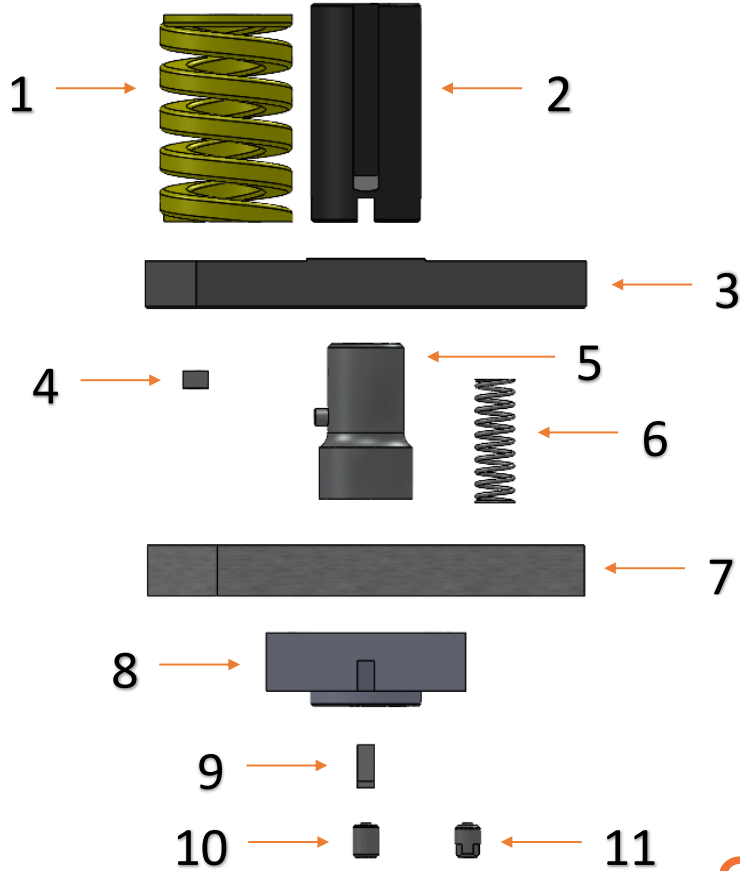
Replacement Tooling



DESCRIPTION	PART NUMBER	Reference Number
Spring Retainer (Set of 2)	HHSR-100	1
Punch Key	HHPK-100	2
Punch Plate	HHPP-250	3
Punch Retainer	HHPR-100	4
Round Punch	HHP-252	5
Round Punch with Head	HHPA-252A	-
Shaped Punch	HHP-252K	-
Shaped Punch with Head	HHPA-252K	-
Lifter Spring (Set of 2)	HHLS-256	6
Punch Head	HHPH-257	7
Stripping Spring (Set of 2)	HHSS-255	8
Stripper Plate	HHSP-259	9
Round Die	HHD-253	10
Shaped Die	HHD-253K	-
Die Holder	HHDH-258K	11
Pilot Pin (Round)	PP-1000	12
Pilot Pin (Shaped)	PP-1000K	13

HH-3

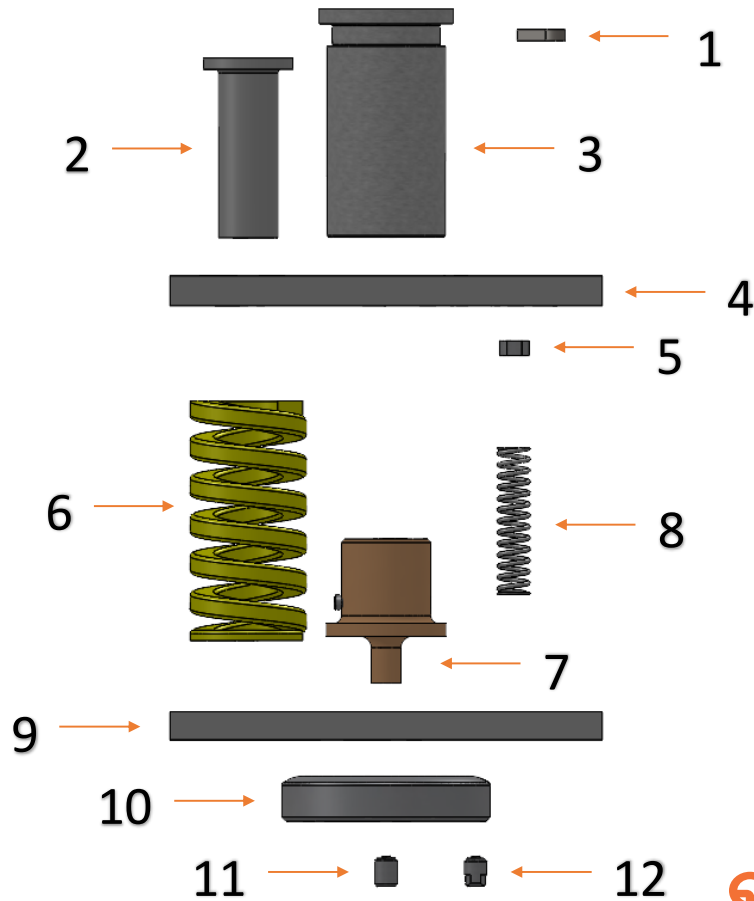
Replacement Tooling



DESCRIPTION	PART NUMBER	Reference Number
Stripping Spring (Set of 2)	HHSS-305	1
Punch Driver	HHD-309	2
Punch Plate	HHPP-307	3
Key (Punch Driver)	HPK-302	4
Round Punch	HHP-302	5
Shaped Punch	HHP-302K	-
Lifter Spring (Set of 4)	HHLS-306	6
Stripper Plate	HHSP-308	7
Round Die	HHD-303	8
Shaped Die	HHD-303K	-
Die Key	HHDK-303-1	9
Pilot Pin (Round)	PP-1000	10
Pilot Pin (Diamond)	PP-1000K	11

HH-3 1/2

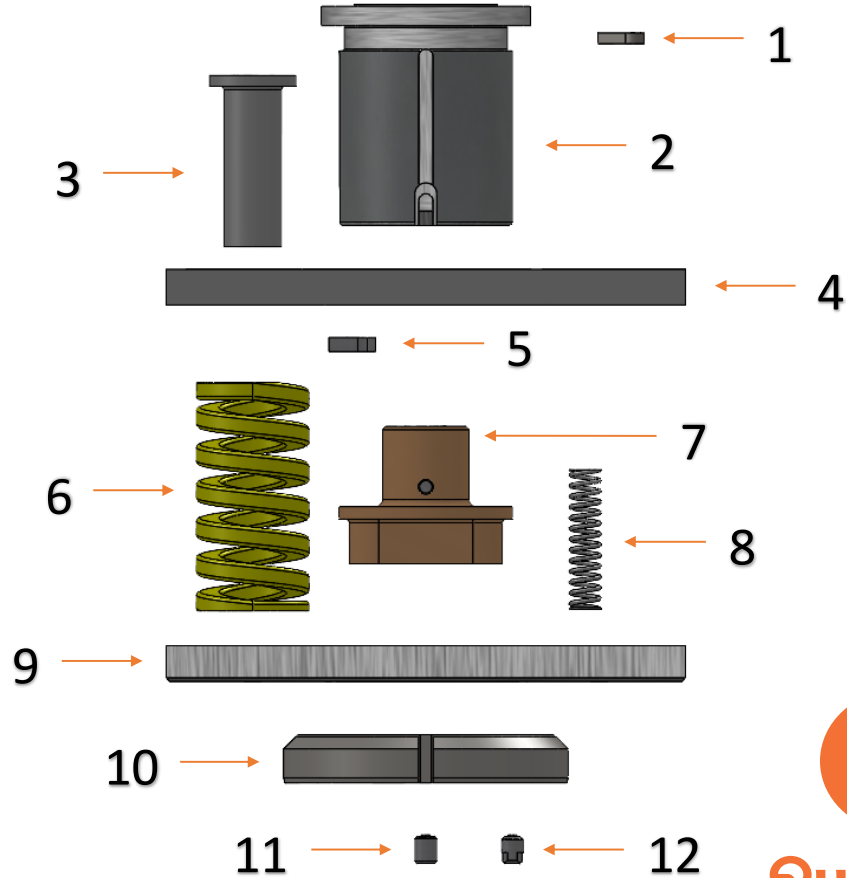
Replacement Tooling



DESCRIPTION	PART NUMBER	Reference Number
Key (Driver)	HHPK-100	1
Spring Retainer (Set of 2)	HHSR-100	2
Punch Driver	HHPD-354K	3
Punch Plate	HHPP-350	4
Punch Retainer	HHPR-100	5
Stripping Spring (Set of 2)	HHSS-255	6
Round Punch	HHP-352	7
Shaped Punch	HHP-352K	-
Lifter Spring (Set of 2)	HHLS-256	8
Stripper Plate	HHSP-359	9
Round Die	HHD-353	10
Shaped Die	HHD-353K	-
Pilot Pin (Round)	PP-1000	11
Pilot Pin (Diamond)	PP-1000K	12

HH-5 1/2

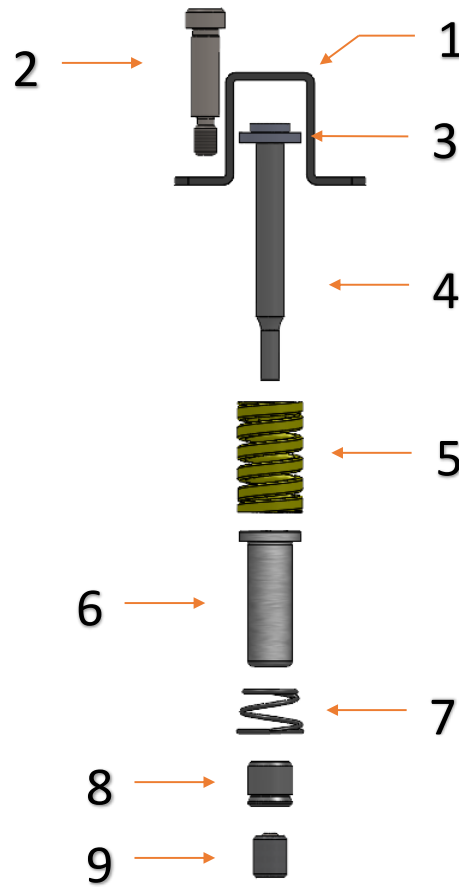
Replacement Tooling



DESCRIPTION	PART NUMBER	Reference Number
Key (Driver)	HHPK-100	1
Punch Driver	HHPD-554K	2
Spring Retainer (Set of 4)	HHSR-100	3
Punch Plate	HHPP-550	4
Punch Retainer (2 req'd)	HHPR-100	5
Stripping Spring (Set of 4)	HHSS-255	6
Round Punch	HHP-552	7
Shaped Punch	HHP-552K	-
Lifter Spring (Set of 2)	HHLS-256	8
Stripper Plate	HHSP-559	9
Round Die	HHD-553	10
Shaped Die	HHD-553K	-
Pilot Pin (Round)	PP-1000	11
Pilot Pin (Diamond)	PP-1000K	12

M-3/4

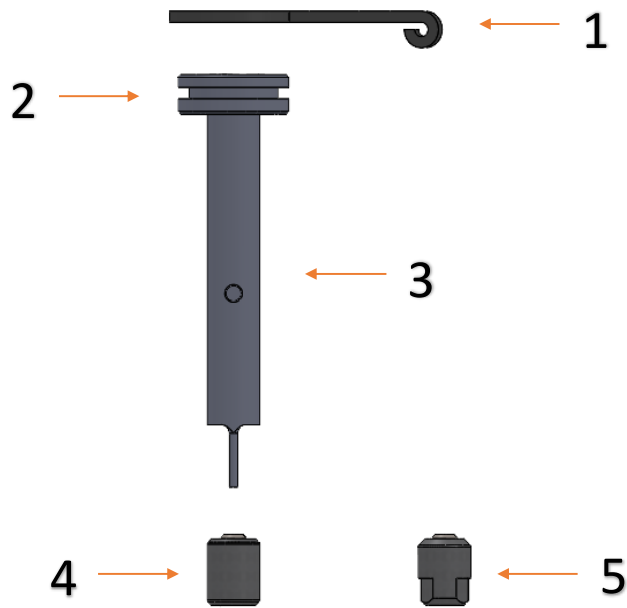
Replacement Tooling



DESCRIPTION	PART NUMBER	Reference Number
Retainer Plate	MR-079	1
Stripper Bolt (2 req'd)	MSB-078	2
Punch Head	MPH-077	3
Round Punch	MP-072	4
Round Punch with Head	MPA-072A	-
Stripping Spring	MSS-075	5
Guide	MG-074	6
Lifter Spring	MLS-076	7
Round Die	MD-073	8
Pilot Pin (Round)	PP-1000	9

M-1 1/4

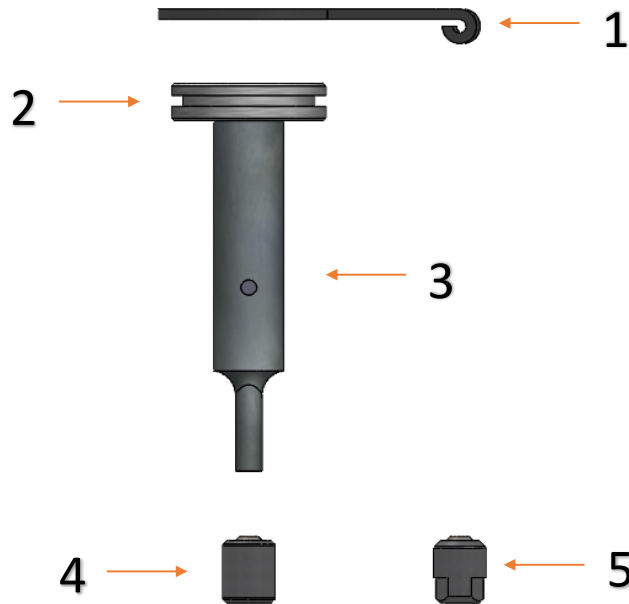
Replacement Tooling



DESCRIPTION	PART NUMBER	Reference Number
Punch Retainer	MPR-128	1
Punch Head	MPH-127	2
Round Punch	MP-122	3
Round Punch with Head	MPA-122A	-
Shaped Punch	MP-122K	-
Shaped Punch with Head	MPA-122K	-
Pilot Pin (Round)	PP-1000	4
Pilot Pin (Diamond)	PP-1000K	5

M-1 3/4

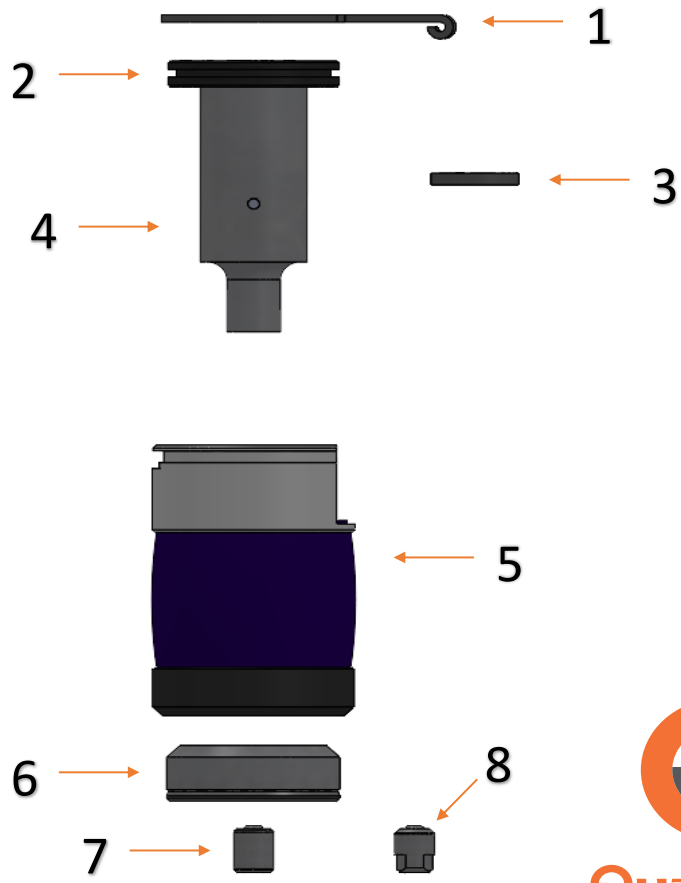
Replacement Tooling



DESCRIPTION	PART NUMBER	Reference Number
Punch Retainer	MPR-178	1
Punch Head	MPH-177	2
Round Punch	MP-172	3
Round Punch with Head	MPA-172A	-
Shaped Punch	MP-172K	-
Shaped Punch with Head	MPA-172K	-
Pilot Pin (Round)	PP-1000	4
Pilot Pin (Diamond)	PP-1000K	5

M-2 1/4

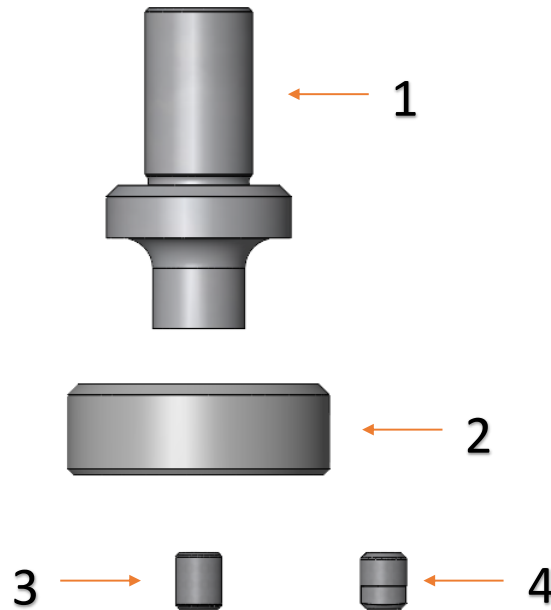
Replacement Tooling



DESCRIPTION	PART NUMBER	Reference Number
Punch Retainer	MPR-228	1
Punch Head	MPH-227	2
Guide Retainer	MGR-300	3
Round Punch	MP-222	4
Round Punch with Head	MPA-222A	-
Shaped Punch	MP-222K	-
Shaped Punch with Head	MPA-222K	-
Round Stripping Guide	MG-224	5
Shaped Stripping Guide	MG-224K	-
Round Die	MD-223	6
Shaped Die	MD-223K	-
Pilot Pin (Round)	PP-1000	7
Pilot Pin (Diamond)	PP-1000K	8

M-2 1/2

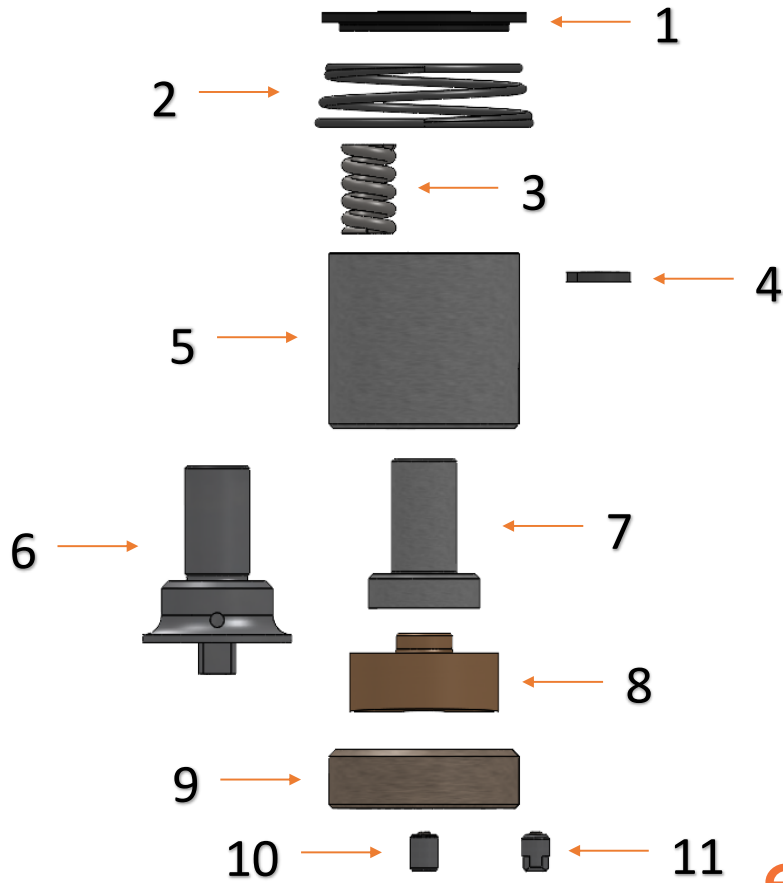
Replacement Tooling



DESCRIPTION	PART NUMBER	Reference Number
Round Punch	MP-252	1
Round Die	MD-253	2
Shaped Die	MD-253K	-
Pilot Pin (Round)	PP-1000	3
Pilot Pin (Diamond)	PP-1000K	4

M-3

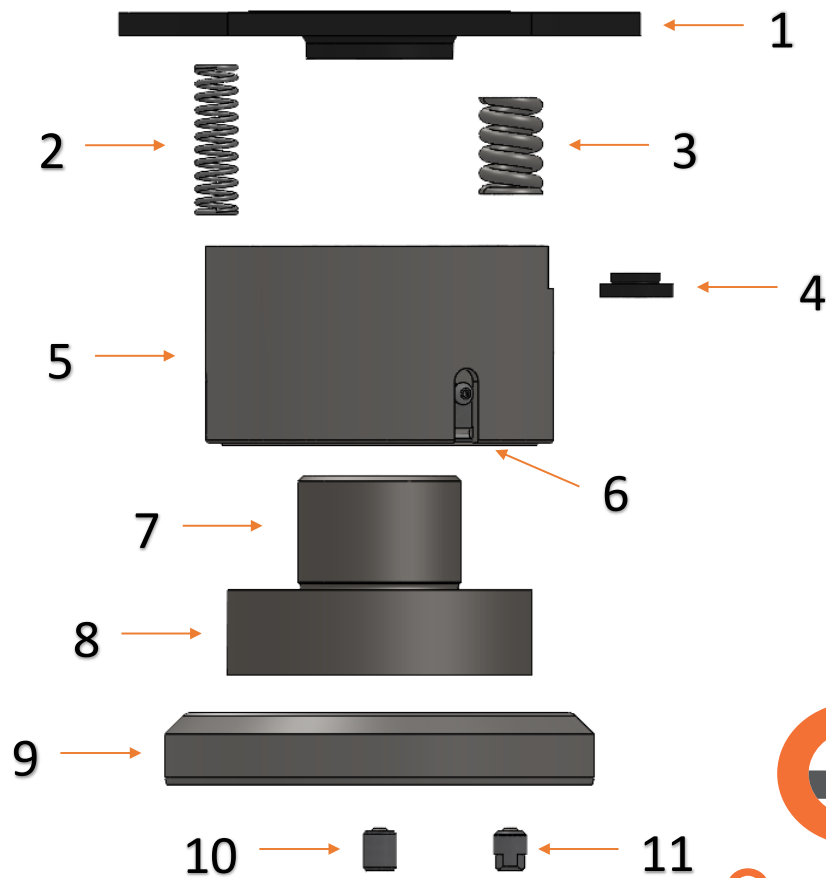
Replacement Tooling



DESCRIPTION	PART NUMBER	Reference Number
Punch Head	MPH-307	1
Lifter Spring	MLS-306	2
Stripping Spring (6 req'd)	MSS-305	3
Guide Retainer	MGR-300	4
Shaped Guide	MG-304K	5
Shaped Punch	MP-302K	6
Round Punch (Under 1.125")	MP-302-1	-
Punch Driver	MPD-308	7
Round Punch (Over 1.124")	MP-302	8
Round Die	HD-303	9
Shaped Die	HD-303K	-
Pilot Pin (Round)	PP-1000	10
Pilot Pin (Diamond)	PP-1000K	11

M-5

Replacement Tooling



DESCRIPTION	PART NUMBER	Reference Number
Punch Head	MPP-507	1
Lifter Spring (4 req'd)	MLS-506	2
Stripping Spring (12 req'd)	MSS-305	3
Guide Retainer	MGR-300	4
Shaped Guide	MG-504K	5
Punch Sleeve	MPD-508	6
Punch Locator	PR-500	7
Round Punch	MP-502	8
Shaped Punch	UMP-502K	-
Round Die	HD-603	9
Shaped Die	HD-603K	-
Pilot Pin (Round)	PP-1000	10
Pilot Pin (Diamond)	PP-1000K	11